

Ultradyne®

0.2 µm TM-grade 25 mm Filter (CA2 Model)

Description

The Ultradyne® TM0.2 is a hydrophobic PTFE membrane filter offering maximum chemical compatibility with minimum extractables in a wide range of fluids and applications. This filter provides reliable removal of particles and microorganisms from aggressive liquids, including strong acids and bases, and organic solvents. Ultradyne® is optimized for applications requiring complete removal of contaminant bacteria and viruses from air and gas streams.

Materials of Construction

All components of the encapsulated discs are animal component free (ACF). These materials are listed for food contact use in the Code of Federal Regulations (CFR), Title 21, as below:

Membrane:	Polytetrafluoroethylene	CFR Title 21, 177.1550
Downstream support:	Polypropylene	CFR Title 21, 177.1520
Capsule housing:	Polypropylene	CFR Title 21, 177.1520
Sealing method:	Thermal bonding	

Pore Size 0.2 µm

EFA 3.6 cm²

Operating Characteristics

Operating temperature range:	32 °F to 100 °F (0 °C to 38 °C)
Maximum operating rating:	80 psig @ 100 °F (5.5 bar @ 38 °C)

Sterilization

Autoclave: 121 °C to 135 °C (15 to 30 psi, 1 to 2 bar), 30 to 60 minutes, ≥ 3 cycles.
Capsules must not be in-line steam sterilized. Gamma irradiation is not recommended.

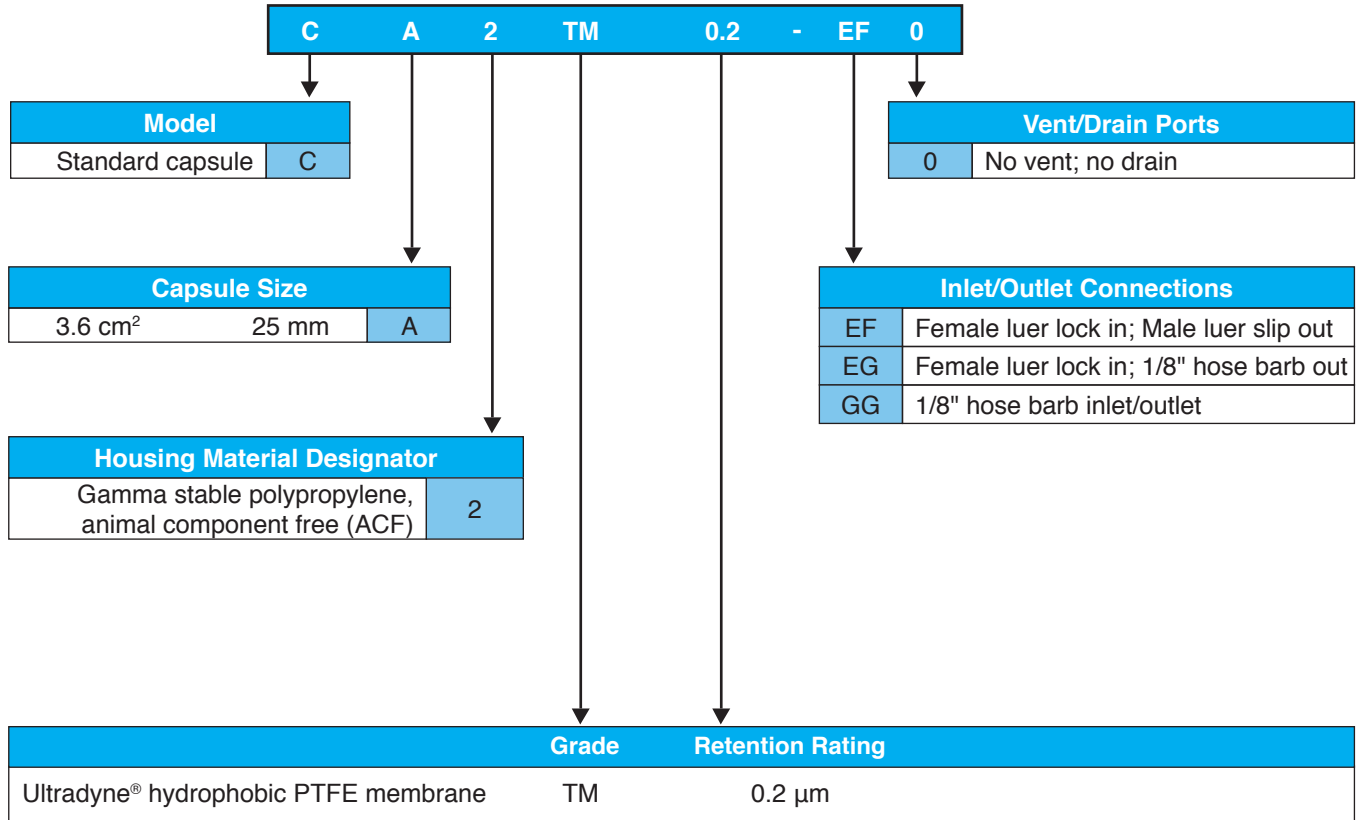
Biological Safety

Ultradyne® filters meet the requirements as specified in the current USP <88> Class VI plastics, USP <87> cytotoxicity tests, and pyrogenicity tests. No adhesives, binders or surfactants are used in the construction of the filters. Filters comply with European Commission Regulation No 10/2011. The capsules are TSE/BSE/animal component free (ACF).

Quality Assurance

Ultradyne® filters comply with the Food and Drug Administration Code of Federal Regulations, Title 21, Parts 210 and 211. Product is manufactured and packaged in a cleanroom facility that, through voluntary compliance, meets or exceeds FDA Good Manufacturing Practice Standards. To ensure product reliability, Meissner's Quality Assurance staff continually audits the manufacturing process for conformance to its Quality Management System. Each Ultradyne® filter is clearly marked with filter type and lot number.

Ordering Guide



Additional information about this filter product is available in the Ultradyne® Green Docs document at www.meissner.com/green-docs.

Ultradyne® is a registered trademark of Meissner Filtration Products.
 © 2020 Meissner Filtration Products, Inc. All rights reserved.