

Steridyne®

0.2 µm VMV-grade 50 mm Vent Filter (CB2 Model)

Description

Steridyne® VMV0.2 is hydrophobic PVDF membrane filter optimized for critical air and gas applications. Designed for bidirectional flow, this sterilizing grade filter is well suited for applications requiring complete removal of bacteria and viruses from air and gas streams, such as fermenter inlet air and exhaust, sterile process air, and sterile venting of carboys, filling vessels, bioreactors and small product or intermediate tanks. Steridyne® capsule filters are manufactured using gamma irradiation tolerant materials and are ideal for integration into single-use systems needing aeration or gas exhaust.

Materials of Construction

All components of the encapsulated discs are animal component free (ACF). These materials are listed for food contact use in the Code of Federal Regulations (CFR), Title 21, as below:

Membrane:	Polyvinylidene fluoride	CFR Title 21, 177.2510
Downstream support:	Polypropylene	CFR Title 21, 177.1520
Capsule housing:	Polypropylene	CFR Title 21, 177.1520
Sealing method:	Thermal bonding	

Pore Size 0.2 µm

EFA 19.6 cm²

Bacterial Retention >10⁷ cfu/cm² retention of *Brevundimonas diminuta* per ASTM F838

Typical Air Flow Rate 2.3 LPM/psid (0.10 Nm³/hr at ΔP 50 mbar)

Minimum Bubble Point 18 psi (1.24 bar), 60% IPA/40% water
17 psi (1.17 bar), 70% IPA/30% water

Operating Characteristics

Normal operating temperature range: 32 °F to 100 °F (0 °C to 38 °C)

Maximum operating pressure: 80 psig @ 100 °F (5.5 bar @ 38 °C)

Sterilization

Autoclave: 121 °C to 135 °C (15 to 30 psi, 1 to 2 bar), 30 to 60 minutes, ≥ 3 cycles.

Capsules must not be in-line steam sterilized.

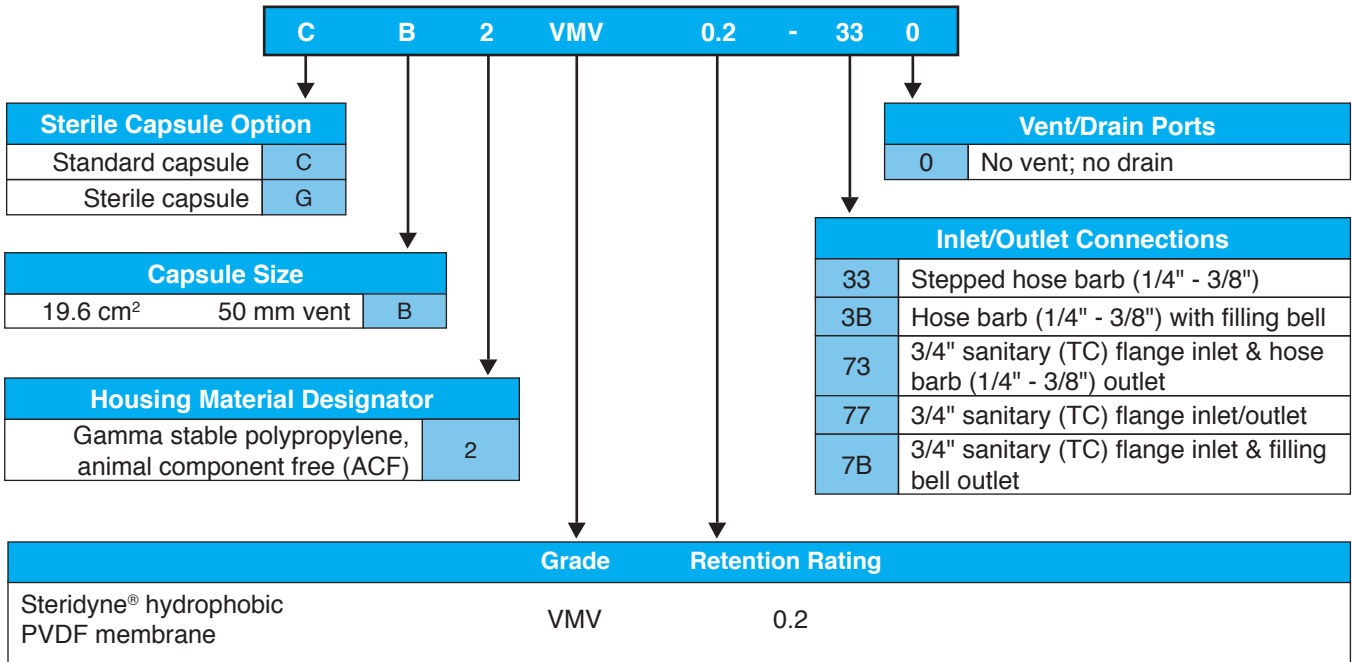
Biological Safety

Steridyne® filters meet the requirements as specified in the current USP <88> Class VI plastics, physicochemical, oxidizable substances, and USP <87> cytotoxicity tests. No adhesives or surfactants are used in the construction of the filters. Filters comply with European Commission Regulation No 10/2011. Capsules are TSE/BSE/animal component free (ACF).

Quality Assurance

Steridyne® VMV0.2 filters are supplied with a Certificate of Conformance verifying the high standards and superior performance of the product. Filters comply with the Food and Drug Administration Code of Federal Regulations, Title 21, Parts 210 and 211. Product is manufactured and packaged in a cleanroom facility that, through voluntary compliance, meets or exceeds FDA Good Manufacturing Practice Standards. To ensure product reliability, Meissner's Quality Assurance staff continually audits the manufacturing process for conformance to its Quality Management System. Each filter is clearly marked with filter type and lot number.

Ordering Guide



Additional information about this filter product is available in the Steridyne[®] Green Docs document at www.meissner.com/green-docs.

Steridyne[®] is a registered trademark of Meissner Filtration Products.
 © 2017 Meissner Filtration Products, Inc. All rights reserved.