

# Steridyne®

## 0.2 µm VTV-grade 25 mm Filter (CA2 Model)

### Description

The Steridyne® VTV 0.2 µm is a hydrophobic PVDF membrane filter optimized for critical air and gas applications. Designed for bidirectional flow, this sterilizing grade filter is well suited for small-scale gas line and air venting applications requiring complete removal of bacteria and viruses. Steridyne® capsule filters are manufactured using gamma irradiation tolerant materials and are ideal for integration into single-use systems needing aeration or gas exhaust.

The Steridyne® VTV 0.2 µm 25 mm filter is 100% integrity tested during manufacture and has the added benefit of quality certification that meets the critical demands of the pharmaceutical, biotechnology and related industries.

### Materials of Construction

All components of the encapsulated discs are animal component free (ACF). These materials are listed for food contact use in the Code of Federal Regulations (CFR), Title 21, as below:

Membrane:	Polyvinylidene fluoride	CFR Title 21, 177.2510
Downstream support:	Polypropylene	CFR Title 21, 177.1520
Capsule housing:	Polypropylene	CFR Title 21, 177.1520
Sealing method:	Thermal bonding	

**Pore Size** 0.2 µm

**EFA** 3.6 cm<sup>2</sup>

**Bacterial Retention** >10<sup>7</sup> cfu/cm<sup>2</sup> retention of *Brevundimonas diminuta* per ASTM F838

**Minimum Bubble Point** 18 psi (1.24 bar), 60% IPA/40% water  
17 psi (1.17 bar), 70% IPA/30% water

### Operating Characteristics

Operating temperature range:	32 °F to 100 °F (0 °C to 38 °C)
Maximum temperature rating:	160 °F @ 35 psig (71 °C @ 2.4 bar)
Maximum operating pressure:	80 psig @ 100 °F (5.5 bar @ 38 °C)
Maximum reverse pressure:	15 psig @ 100 °F (1.0 bar @ 38 °C)

### Sterilization

Autoclave: 121 °C to 135 °C (15 to 30 psi, 1 to 2 bar), 30 to 60 minutes, ≥ 3 cycles.  
Gamma irradiation: 25 to 40 kGy once. Do not autoclave irradiated capsules.  
Capsules must not be in-line steam sterilized.

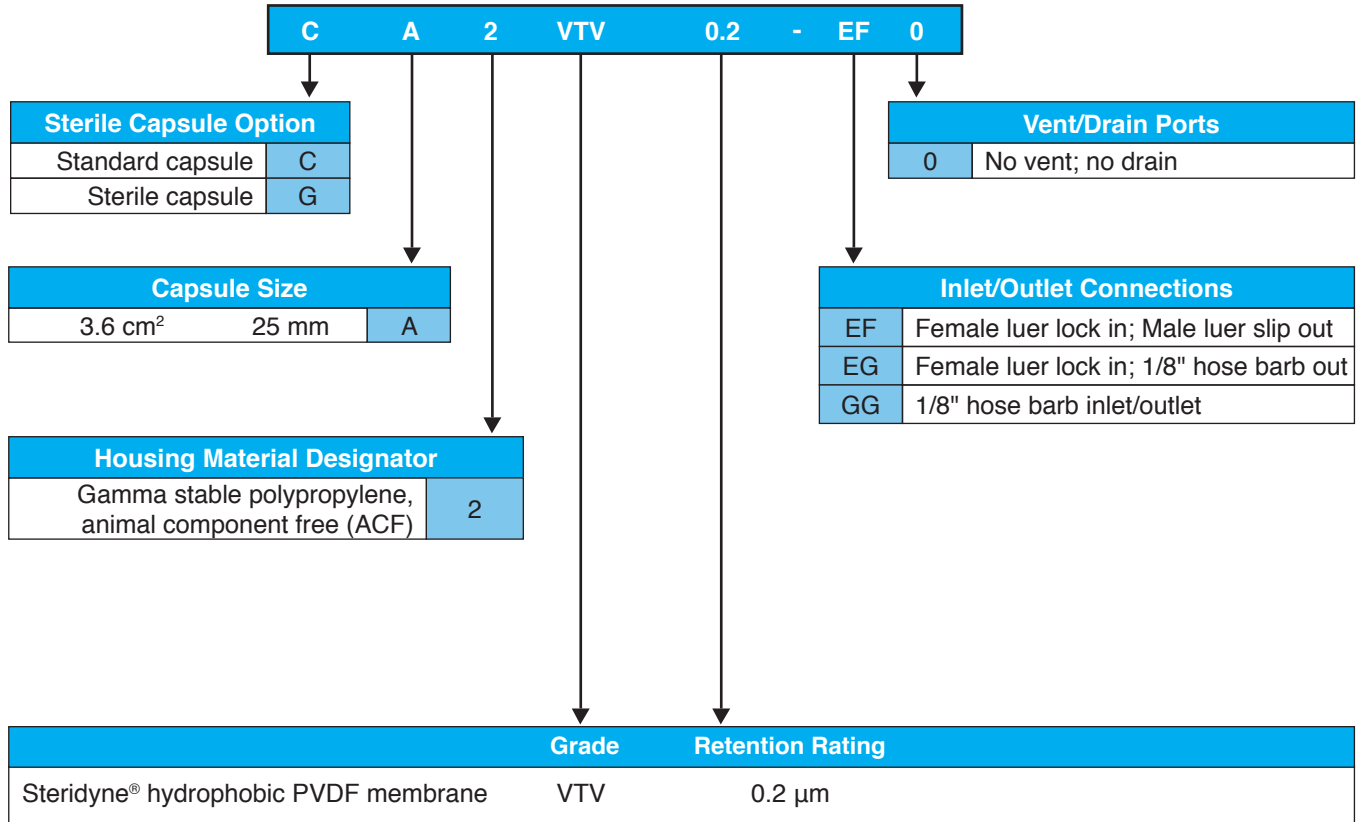
### Biological Safety

Steridyne® filters meet the requirements as specified in the current USP <88> Class VI plastics, USP <87> cytotoxicity tests, and pyrogenicity tests. No adhesives, binders or surfactants are used in the construction of the filters. Filters comply with European Commission Regulation No 10/2011. The 25 mm filters are TSE/BSE/animal component free (ACF).

### Quality Assurance

Steridyne® VTV0.2 filters are supplied with a Certificate of Quality verifying the high standards and superior performance of the product. Filters comply with the Food and Drug Administration Code of Federal Regulations, Title 21, Parts 210 and 211. Product is manufactured and packaged in a cleanroom facility that, through voluntary compliance, meets or exceeds FDA Good Manufacturing Practice Standards. To ensure product reliability, Meissner's Quality Assurance staff continually audits the manufacturing process for conformance to its Quality Management System. Each Steridyne® filter is integrity tested during manufacture and is clearly marked with filter type, lot number, and serial number.

**Ordering Guide**



Additional information about this filter product is available in the Steridyne® Green Docs document at [www.meissner.com/green-docs](http://www.meissner.com/green-docs).

Steridyne® is a registered trademark of Meissner Filtration Products.  
 © 2021 Meissner Filtration Products, Inc. All rights reserved.